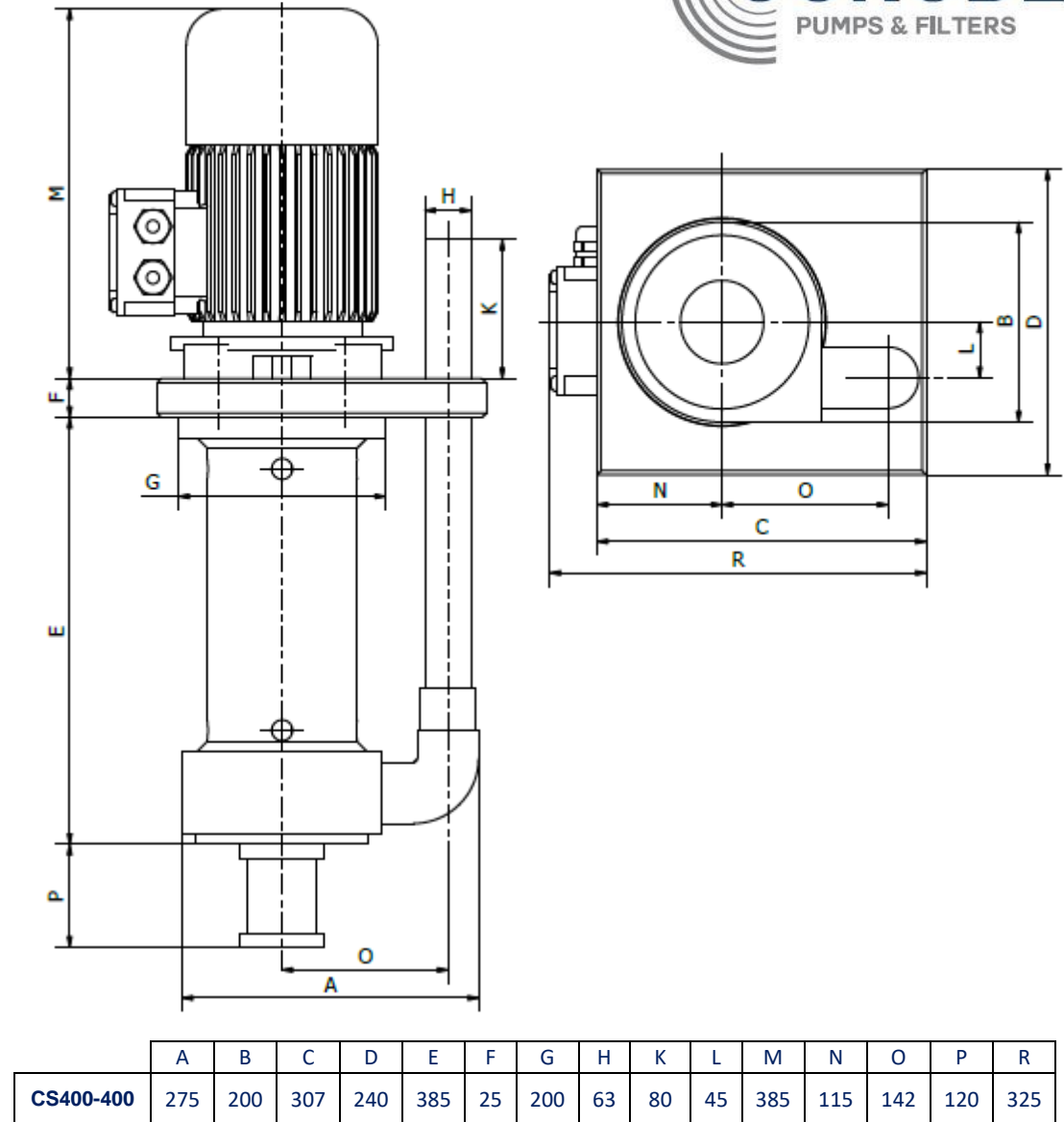
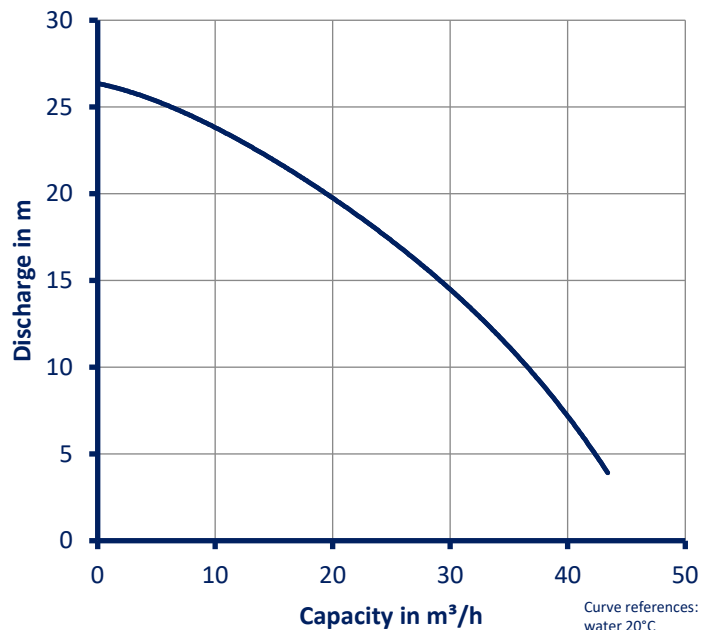


## Technical data Corode CS vertical pump

# CS400-400 PP/ PVDF

Materials available	:PP or PVDF
O-ring	:EPDM or Viton
Max. flow	:43.4m <sup>3</sup> /h
Max. head	:25.2m.
Max. temperature	:PP 75°C; PVDF 90°C
Motor	:4kW, 400V/ 690V, 7.6/4.4Amp, 3Ph, 50Hz, IP55

### CS400-400



[www.corode.eu](http://www.corode.eu)

tel: +31 (0)161-244250

corode@corode.nl